

EZMarquee - 1 Line 10 Characters (Outdoor)

1 Line 10 Characters - NEMA 4X

The 1 Line 10 Char EZMarquee can hold up to a maximum of 10 characters (2") per line and features 1 line of RED/Tri-Color LEDs. EZMarquees are enclosed in NEMA 4X extruded aluminum housing with NEMA ICS 2-230 level of electrical noise immunity. All 1 Line 10 Character models are capable of communicating over RS232 and RS422/485 along with different models for Ethernet, DeviceNet and Profibus connectivity.

Characteristics:

Character Height: 2"
 Characters per Line: 10
 Number of Lines: 1
 Visibility: 100'

1 Line 10 Characters feature:

- 1 line of 10 characters max
- Pre-matched LEDs
- 24 Hour Burn-In tested
- International Character Set
- Hang Mounting
- NEMA 4/4X Outdoor Housing
- NEMA ICS 2-230
- 110/220 VAC Power Input
- Surge Protection
- 100,000+ Hours Rated Life

See the different communication interface options available in the charts below



RED Outdoor



TRI color Outdoor

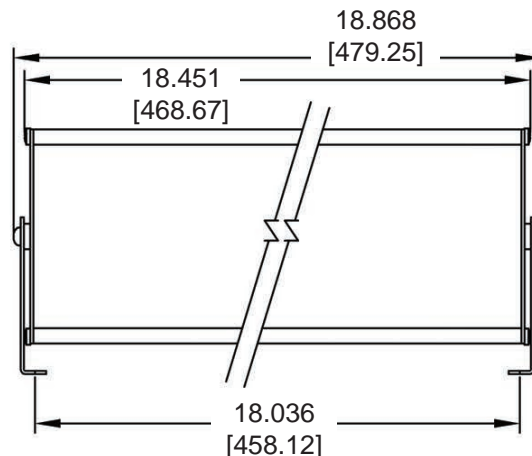
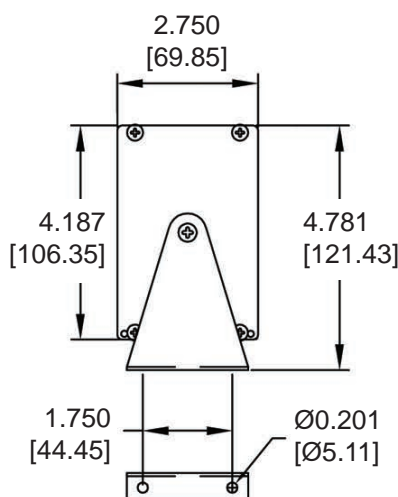
Model Number	Interface
EZMR-1L10C-OUT	RS232 and RS422/485 only
EZMR-1L10C-E-OUT	Ethernet included
EZMR-1L10C-D-OUT	DeviceNet included
EZMR-1L10C-P-OUT	Profibus included

Model Number	Interface
EZMT-1L10C-OUT	RS232 and RS422/485 only
EZMT-1L10C-E-OUT	Ethernet included
EZMT-1L10C-D-OUT	DeviceNet included
EZMT-1L10C-P-OUT	Profibus included

RED Outdoor Highbright

Model Number	Interface
EZMRH-1L10C-OUT	RS232 and RS422/485 only
EZMRH-1L10C-E-OUT	Ethernet included
EZMRH-1L10C-D-OUT	DeviceNet included
EZMRH-1L10C-P-OUT	Profibus included

1 Line 10 Characters Dimensions



MOUNTING HOLE CENTERS